

### **Emergency stop with 2 positive opening**

contacts in a IP65 enclosure

E-Stop / R-B 42 2NC 1NO M12(8)

with M12 connection

8-pole

Emergency-Stop button

2 NC (positively-opening)

1 button (1 NO contact)

Delivery contents:

Flat lens, transparent clear, red, yellow, green, blue

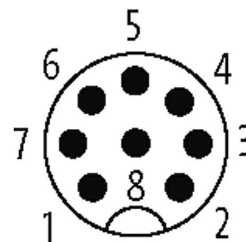
Label plates, O, I, R

#### **Illustration**

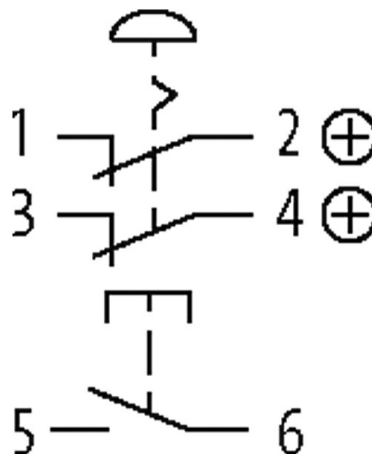
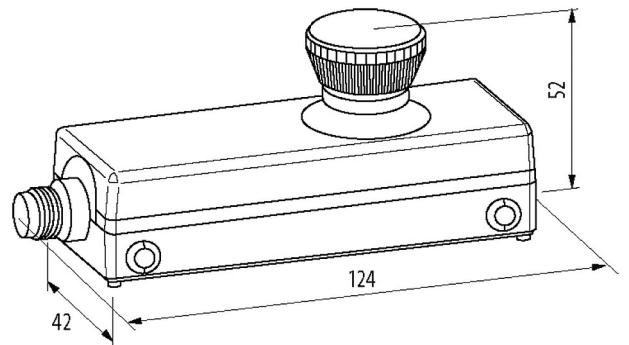
stay connected



Male



- PIN 1: N/C 1
- PIN 2: N/C 1
- PIN 3: N/C 2
- PIN 4: N/C 2
- PIN 5: N/O 1
- PIN 6: N/O 1
- PIN 7: n.c.
- PIN 8: n.c.



Product may differ from Image

### Approvals



### Contact Layout

PIN 1	Emergency-Stop: NC-1
PIN 2	Emergency-Stop: NC-1
PIN 3	Emergency-Stop: NC-2
PIN 4	Emergency-Stop: NC-2
PIN 5	Button: N/O 1
PIN 6	Button: N/O 1
PIN 7	Button: n.c.
PIN 8	Button: n.c.

### General data

Mech./ elect. life	50 000 actuations, load-temperature dependent
Lambda (d)	20% (N/C)
B10d	250 000
Material (contact)	Ag Ni
Protection	IP65
Connection	M12 (8-pole)
Mounting method	with clip on back
Dimensions H×W×D	52×124×42 mm
Temperature range	-25...+70 °C (storage temperature -25...+85 °C)

### Technical Data

Contact bounce time	max. 10 ms
Operating voltage	1...36 V DC; 30 V DC (UL)
Operating current	1.5 A

### Commercial data

country of origin	DE
customs tariff number	85365080
EAN	4048879594264
eClass	27371244
Packaging unit	1